

# HEAVY DUTY LIGHTS /

## SCORPIUS PRO 445

### KEY FEATURES

This is the new generation Scorpius work light with the very latest LED technology, and new and improved design

Compared to the older Scorpius models it has better colour rendering, i.e. it reflects colours more naturally

The mechanical properties are better, lighter in weight, new lens material that better withstands heat

Superior electromagnetic compatibility - for your safety

All in all very durable with good heat and corrosion resistance

**Theoretical Lumens output:** 7000 lm

**Shock:** 60 G

**Operational Lumens output:** 4400 lm

**Vibration:** 15.3 Grms

**Colour temperature:** 5000 K

**Weight:** 1.0 kg



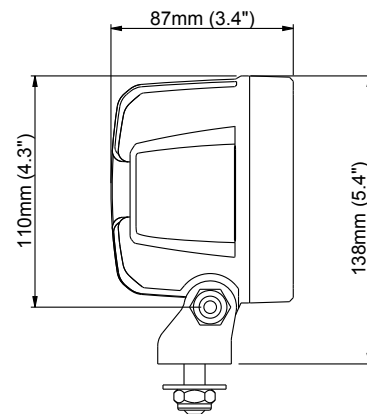
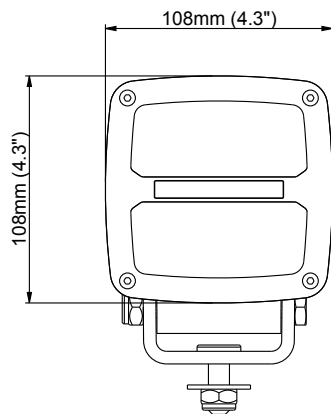
## SPECIFICATIONS



### TECHNICAL SPECIFICATIONS

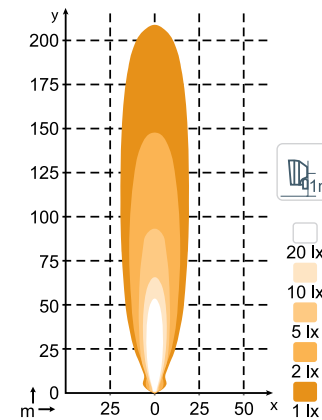
### SCORPIUS PRO 445

Theoretical / Operational Lumens Output:	4400lm / 7000lm
Colour Temperature:	5000 K
Nominal / Input Voltage DC:	12, 24V / 9-32V
Power Consumption:	50 W
Nominal Current:	12V=4.2A / 24V=2.1A
Mount:	Single Bolt M10 / Pedestal
Connector:	Built-in Deutsch 2-pin
EMC:	CISPR 25 Class 5, ISO 13766, ISO 14982-2, ISO 11452-2, ISO 7637-2, EN 61000-4-2
Electronics:	Integrated
Shock:	60 G
Vibration:	15.3 Grms 24-2000 Hz
IP Rating:	IP68, IP6K9K, IPX8, IP6K96
Weight:	1.0 kg
Operating Temperatures:	-40°C... +85°C (Overheat protected)

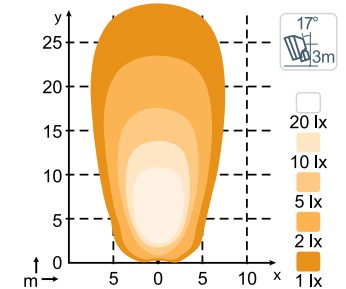


### LIGHT PATTERNS

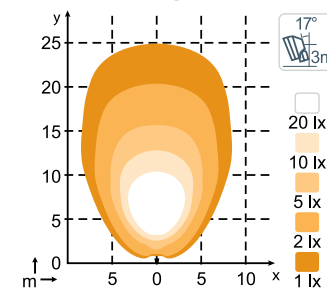
#### SCORPIUS PRO 445, 4400lm High beam



#### SCORPIUS PRO 445, 4400lm Flood



#### SCORPIUS PRO 445, 4400lm Wide Flood (Asymmetric)



#### SCORPIUS PRO 445, 4400lm Wide Flood (Symmetric)

